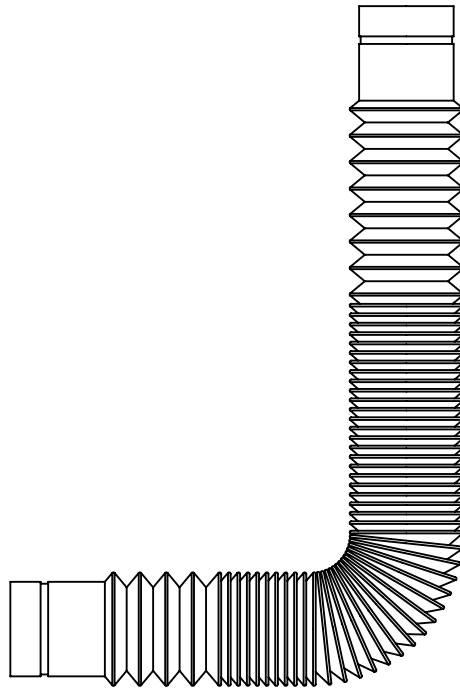
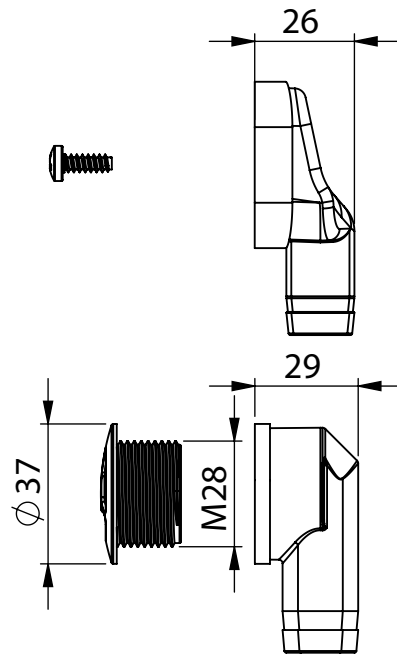
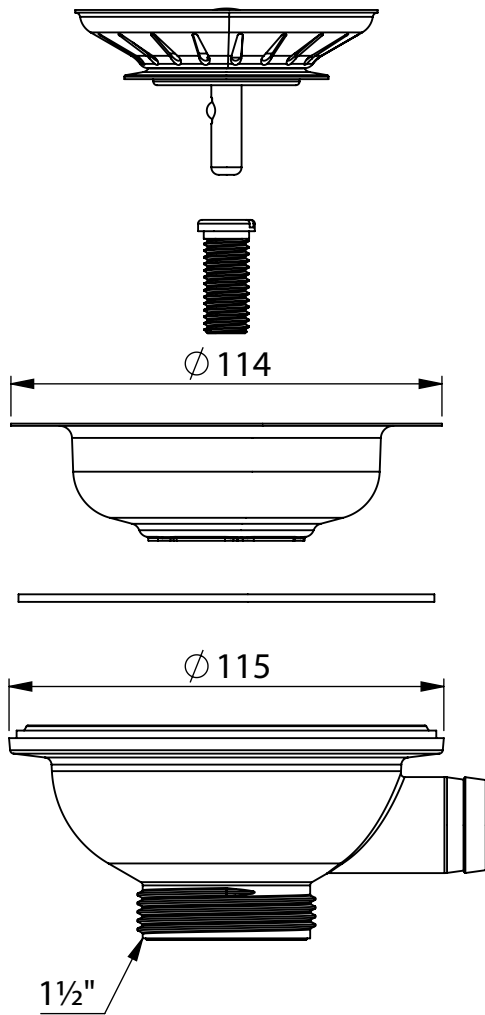


PREVEX



Product

Type

No WK2-D9C-009-010-011

Date 14.10.2021 mb

New type New version Old version

PREVEX

Approved